

The **IKI-55** Feeder Control Unit can be used in load switchgear for directional fault detection, load flow measurement, and control of load and ground switches. Likewise, a number of automation and monitoring functions are available with the **IKI-55**. The **IKI-55** is network-capable in its basic version and can communicate with the control station and other remote stations via various communication protocols. It can also be used as a Modbus master. The **IKI-55 M** is a Modbus-only variant.

In addition, sensors with integrated temperature sensor for temperature compensation of the measured values can be connected to the IKI-55 T, such as the SIBushing (Siemens). The maximum measurement deviation with temperature compensation is equal or less than 1 % for voltage and current measurement.



### Properties

The IKI-55 is designed for the connection of small-signal current transformers according to IEC 61869-10 as well as small-signal voltage transformers according to IEC 61869-11. In conjunction with a **sensor adapter**, conventional conversion transformers for current measurement as well as capacitive and precision dividers can be connected.

### Fault detection

- Directional short-circuit detection
- Directional ground short-circuit detection
- Directional ground fault detection with static and transient fault detection
- Ground fault detection via pulse locating
- Suitable for all neutral point treatments
- No summing transformer required
- Fault recording with export as Comtrade file

### Early fault detection

- Detection of transient faults (Intermittent ground faults)
- In conjunction with a CAPDIS- S2\_55 (R5): Detection of partial discharges and their frequency and trend

### Load flow measurement

- Voltages, currents, powers, frequencies, cos phi
- Momentary and average values
- Cross calibration (With additional adapter)
- Phase comparison function for voltages (With additional adapter)

### Comprehensive control and monitoring functions

- Control of motor controllers for switching load and ground switches
- Free programmable logic functions
- Automatic Transfer Switch (ATS)
- Limit value monitoring

### Simple operation of the unit

- Additional LEDs to indicate the fault direction
- Self-explanatory operation via direction keys

### Extended safety features

- User roles safety concept, password protected
- Remote firmware update via REST interface (deactivable)
- USB interface deactivable

### Communication protocols

- IEC 60870-5-104 for communication with control center
- MQTT, REST for communication with databases or management systems
- Modbus RTU (Master)

### PT100 input for temperature compensation of smart sensors

- E.g. for Siemens SIBushing sensors
- Maximum measurement deviation with temperature compensation is equal or less than 1 % for voltage and current measurement.

## Technical Data

### Device data

Article number	2502400_H103
Quantity unit	Piece
Product designation	Grid Controller IKI-55   Networkable Feeder Control Unit   For SIBushing
Number of feeders	1



### Device data

Firmware	1.3.0
Parameterization software	KriesConfig
Configuration	Via HMI and display (limited), Via software Kries-Config (download at <a href="http://kries.com">kries.com</a> )

### Operating elements and display

Front display	LC-Display and LEDs
Direction keys	1 - 4 for navigation in menu
Red LED (1)	Error event detected
Yellow LED (2)	Device warnings
Green LED (3)	Status message device state
Yellow LED (4)	Fault detected in the direction of the busbar
Red LED (5)	Error event detected in the direction of the cable

### Dimensions and installation instructions

Case height x width x depth	48 x 96 x 110 mm
Cutout height x width	45 x 92 mm
Norm cutout dimensions	DIN IEC 61554:2002-08
Installation type	Panel mounting

### Operating conditions

Operating temperature	-40°C ... 70°C
Storage temperature	-40°C ... 80°C
Protection class front side	IP54
Protection class	IP40 / Front IP54
System frequency	50 Hz / 60 Hz (selectable)

### Fault detection and failure forecast

Fault detection	Individually selectable, any combinations possible
Star point types	Short-term low-ohmic terminated neutral, Low-ohmic terminated neutral, Inductive terminated neutral, Isolated neutral
Short circuit detection I>>	✓
Directional short-circuit detection I>>	✓
Threshold current short-circuit detection I>>	50 A – 1,000 A
Threshold time short-circuit detection I>>	40 ms – 5 s
Earth short-circuit detection Ie>>	✓



### Fault detection and failure forecast

Directional earth short-circuit detection Ie>>	✓
Threshold current earth short-circuit detection Ie>>	10 A – 1,000 A
Threshold time earth short-circuit detection Ie>>	40 ms – 5 s
Directional static earth fault detection Ie>;	✓
Threshold current static earth fault detection Ie>	2 A – 30 A
Threshold time static earth fault detection Ie>	200 ms – 2 s
Directional transient earth fault detection Ie>	✓
Threshold current transient earth fault detection 3I0	1 A – 1,000 A
Threshold voltage transient earth fault detection 3U0	0.1 kV – 100 kV
Earth fault detection via pulse locating	✓
Pulse length of pulse locating	symmetrical / asymmetrical
Transient fault detection IIe>	✓
TE trend monitoring	<ul style="list-style-type: none"> <li>• In conjunction with CAPDIS-S2_55 (R5)</li> <li>• Indication on the display, transmission via Modbus-RTU</li> <li>• Partial discharge trend via frequency distribution; integration over 24 h, trend over 72 h</li> </ul>
Fault reset	Auto, Manually on the device, After time (1 h ... 8 h, configurable)
Reset setting	Time: 1 - 1 h; manual, auto
Event log	20 events
Fault recorder	✓
Fault record - formats	Comtrade
Fault record - number	20
Fault record - recording duration	2,5 s at 50 Hz   2,09 s at 60 Hz
Fault record - Frequency	6,4 kHz at 50 Hz   7,68kHz at 60 Hz
Fault record - Pretrigger	0,31 s at 50 Hz   0,258 s at 60 Hz
Earth fault transient detection	✓
Directional earth short-circuit detection	✓

### Interfaces and transmission protocols

USB interface	Mini-USB
Transmission protocols	MQTT, REST, IEC 60870-5-104, Modbus-RTU
Modbus-RTU	✓
Modbus RTU Master	✓
Modbus-RTU Slave	✓
Modbus transmission rates [kBd]	9600, 19200, 38400, 57600, 115200

### Interfaces and transmission protocols

MQTT	✓
REST API	✓
IEC 60870-5-104 Slave	✓
LAN connection	✓
Slave test	✓
Digital Inputs	6
Digital inputs - connections	Push-In, Connection of solid and stranded conductors: 0.08 to 0.5 mm <sup>2</sup>   Connection of stranded conductors with ferrule: 0.25 to 0.34 mm <sup>2</sup>
Digital inputs - switching thresholds	ON > 19 VDC / OFF < 10 VDC
Digital inputs - voltage ranges	24 DC to 60 VDC
Digital inputs - current consumption	Max. 6 mA
Digital Outputs	6
Digital outputs for 1.5 pole switching	2
Digital outputs - connections	Push-In, Connection of solid and stranded conductors: 0.08 to 0.5 mm <sup>2</sup>   Connection of stranded conductors with ferrule: 0.25 to 0.34 mm <sup>2</sup>
Digital outputs - variants	Floating
Digital outputs - switching capacity	1 A at 30 VDC
Digital outputs - dielectric strength	Max. 80V
Voltage input Input impedance	2 MOhm, 50 pF
Voltage input Input range	0,4 V – 4,1 V
Voltage input measurement accuracy	1%
Voltage input transformation ratio	10000:1 (settable)
Voltage input standard	IEC 61869-11
Current input Version	Rogowski current sensor
Current input Input impedance	10 MOhm, 50 pF
Current input Measuring range	0,1 A up to 2000 A
Current input Measuring accuracy	1%, +- 0.5 A
Current input Ratio	50 A / 22,5 mV (50Hz) (settable)
Current input standard	IEC 61869-10
Voltage inputs	1 (With additional adapter 2: 2x LRM/CAPDIS or 1x LRM/CADPIS + 1x precision 3.25V)

### Measurement values and functions

Voltage measurement	✓
Phase-to-ground voltages	✓



### Measurement values and functions

Phase to phase voltages	✓
Precision voltage measurement	Yes
Current measurement	✓
Active power	✓
Reactive power	✓
Apparent power	✓
Rotary field detection	✓
Frequency measurement	✓
Limit value monitoring	Parameterizable
Logic functions programmable	A total of 32 logic rules can be programmed.

### Power supply

Auxiliary power supply	24 VDC/AC +/-20%
Power input - power consumption	0.5 A
Power supply input - connections	Connection of solid and stranded conductors: 0.2 to 2.5 mm <sup>2</sup> / Connection of stranded conductors with ferrule: 0.25 to 1.5 mm <sup>2</sup> / Connection of stranded conductors with ferrule without plastic collar: up to 2.5 mm <sup>2</sup>
CT-supplied	-

## Current transformers in connection with IKI small signal / sensor adapter

Article number	Product designation
2512106_H001	IKI-LUM_d92 Split-Core Transducer with cable tie (set)   Ø 92mm
2512106_H003	IKI-LUM_d92 Split-Core Transducer for C-Cone-Bushings (set)   Ø 92mm
2512106_H004	IKI-LUM_d92 Split-Core Transducer for SIEMENS-Bushings (set)   Ø 92mm

## Connecting cables CTs

Article number	Product designation
3503118_S	Connecting cable set   pluggable   Length = 3,0m
3503135_S	Connecting cable set   pluggable   Length = 5,0m
3503135_S999	Connecting cable set   pluggable   Lengths on request



### Accessories

Article number	Product designation
2502466_H001	Small-Signal Sensor-Adapter Interfaces: IKI-LUM, U-LRM, U-LRM
2502466_H002	Small-Signal Sensor-Adapter Interfaces: IKI-LUM, U-LRM, U-DIV
2502403	CT-Adapter Interfaces: Current x/1A, Voltage x/100V

### Comparison of products

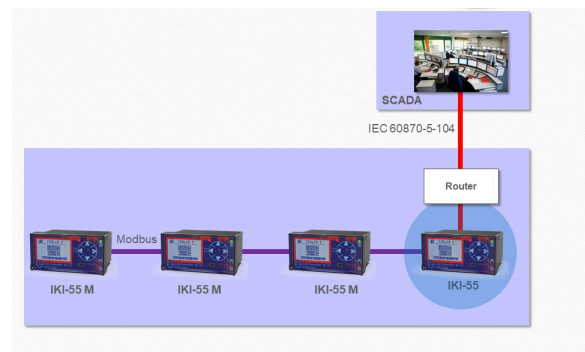
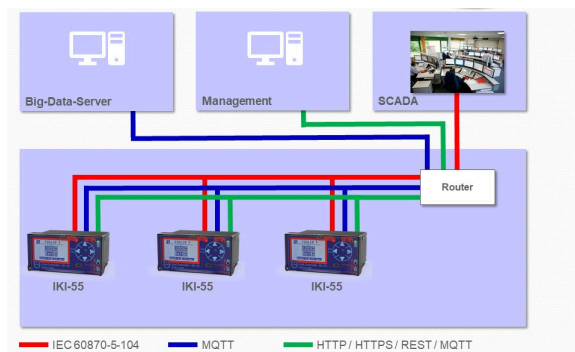
	IKI-55 T 2502400_H103	IKI-55 2502400_H003
Level of digitalisation	2	2
Short circuit detection I>>	✓	✓
Directional short-circuit detection I>>	✓	✓
Earth short-circuit detection Ie>>	✓	✓
Directional earth short-circuit detection Ie>>	✓	✓
Earth fault transient detection	✓	✓
Pulsation detection	✓	✓
Directional static earth fault detection Ie>;	✓	✓
Slave test	✓	✓
Modbus-RTU	✓	✓
Modbus RTU Master	✓	✓
Modbus-RTU Slave	✓	✓
IEC 60870-5-104 Slave	✓	✓
MQTT	✓	✓
REST API	✓	✓
LAN connection	✓	✓
Encryption of communication (LAN)	TLS	TLS
CT-supplied	-	-
Auxiliary power supply	24 VDC/AC +/-20%	24 VDC/AC +/-20%
USB interface	Mini-USB	Mini-USB

# IKI-55 T

## Network-capable Feeder Control Units for Distribution Network Stations

	IKI-55 T 2502400_H103	IKI-55 2502400_H003
PT100 input for temperature compensation of sensors	✓	-
Digital Inputs	6	6
Digital Outputs	6	6
Digital IOs configurable	Yes	Yes
Switching functions feeder control unit	Switching of up to two load switches 1.5-pole switching	Switching of up to two load switches 1.5-pole switching
Digital outputs for 1.5 pole switching	2	2
Voltage inputs	1 (With additional adapter 2: 2x LRM/CAPDIS or 1x LRM/CADPIS + 1x precision 3.25V)	1 (With additional adapter 2: 2x LRM/CAPDIS or 1x LRM/CADPIS + 1x precision 3.25V)
Voltage measurement	✓	✓
Precision voltage measurement	Yes	Yes
Current measurement	✓	✓
Logic functions programmable	A total of 32 logic rules can be programmed.	A total of 32 logic rules can be programmed.
Balanced core CT optional	-	-
Compatible CTs	IKI-LUM_d92 Split-Core Transducer with cable tie (set)   Ø 92mm (2512106_H001) IKI-LUM_d92 Split-Core Transducer for C-Cone-Bushings (set)   Ø 92mm (2512106_H003) IKI-LUM_d92 Split-Core Transducer for SIE-MENS-Bushings (set)   Ø 92mm (2512106_H004)	IKI-LUM_d92 Split-Core Transducer with cable tie (set)   Ø 92mm (2512106_H001) IKI-LUM_d92 Split-Core Transducer for C-Cone-Bushings (set)   Ø 92mm (2512106_H003) IKI-LUM_d92 Split-Core Transducer for SIE-MENS-Bushings (set)   Ø 92mm (2512106_H004)

## Application examples





# IKI-55 T

Network-capable Feeder Control Units for Distribution Network Stations

## Block diagram (Version IKI-55)

